

ASG/APG Series D86mm Bulb Revolving Warning Signal Light

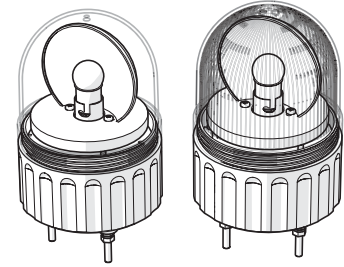


Compact Revolving Warning Light perfectly designed for small devices.



▼ Smooth lens ▼ Prism lens

- Incandescent or Xenon type
- Red, Yellow, Green and Blue lens available
- Smooth lens or Prism lens
- Stud mounted or Pole mounted
- Optional Wall Mounting Brackets available
- Wide range of power supply



Ordering Information

ASG B - 2 0 - R

① ② ③ ④

1. Lens Style

ASG	Ø86mm Dome top lens Signal Light (Stud mount)
APG	Ø86mm Flat top lens Signal Light (Stud mount)

2. Light Style

	Rotating Light (Smooth Lens)
F	Flashing Light (Prism Lens) - *Note
B	Rotating Light + Buzzer
S	Strobe Light + Xenon Lamp (110V AC or 220V AC only)

3. Power Supply

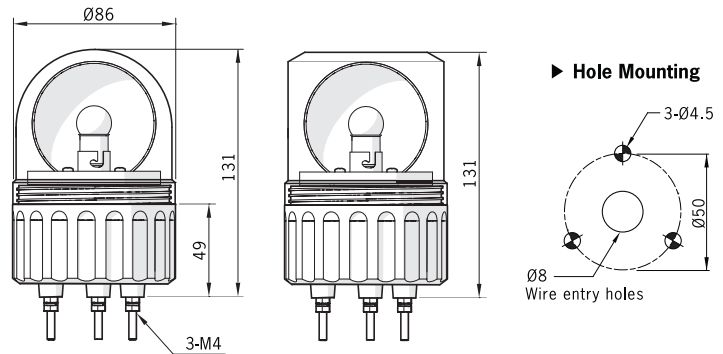
01	12V AC/DC
02	24V AC/DC
10	110V AC
20	220V AC
FF	110/220V AC * Except for Flashing type - F function

4. Lens Colors

R	Red
Y	Yellow
G	Green
B	Blue

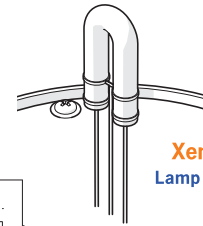
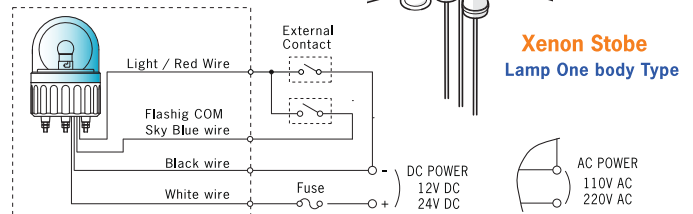
Note - Flashing type DC power is only

Dimensions (unit: mm)



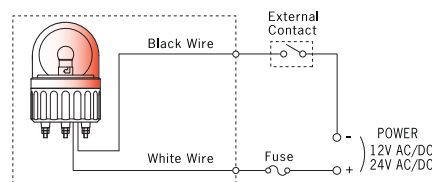
Wiring Diagram

▶ Flashing Lights

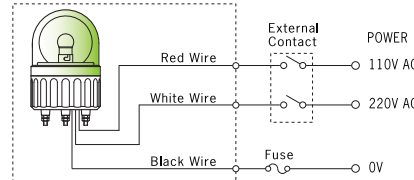


Xenon Strobe Lamp One body Type

▶ Rotating & Strobe Lights



▶ Rotating & Strobe Lights



Wall Mount Brackets



Specifications

Bulb Lights

Operation/Function	Rotating , Flashing , Buzzer
Power Supply	AC/DC 12V , AC/DC 24V 110V AC , 220V AC , 110/220V AC (50/60Hz)
Lens Diameter	86 mm
Lens Color	Red, Yellow, Green, Blue (Lens Type :Smooth)
Ratation Rate	130 times/ min
Flash Rate	80 times/ minute
Buzzer Sound Level	80dB ±5dB (at 1M)
Ambient Temperature	-15°C ~ 40°C
Storage Temperature	-25°C ~ 70°C
Ambient Humidity	45~85% RH
Degree of Protection	IP42
Approvals	CE , RoHS
Recommended Wire Size	AC 110/220V: VSF / 0.75mm ² (Power supply wire only) AC/DC 12/24V: 1007 UL / 22AWG

Current Draw

Power Supply	12V	24V	110V	220V	110/220V
Current Draw	0.67A, 8W	0.33A, 8W	0.07A, 8W	0.03A, 8W	0.4A, 5W

Xenon Strobe Lights

Power Supply	AC 110V , AC 220V (50/60Hz)
Current	AC 110V : 0.22A , AC 220V : 0.11A
Lens Color	Red, Yellow, Green, Blue (Lens Type : Prism)
Strobe Pulse	80 times/ minute ±3%
Degree of Protection	IP42
Approvals	CE , RoHS
Recommended Wire Size	VSF / 0.75mm ² (Power supply wire only)
Lamp Wattage	6W Lamp

Replacement Parts

Rated Voltage	Bulb	Rated Voltage	Bulb (Flashing type)	Bulb (Rotating type)
12V DC	12V 8W	110V AC	130V 8W	12V 5W
24V DC	24V 8W	220V AC	240V 8W	12V 5W
		110/220V AC		12V 5W

▶ See page 39 for Replacement Bulbs product

See Page 40-42 for Mounting Options and Accessories.

